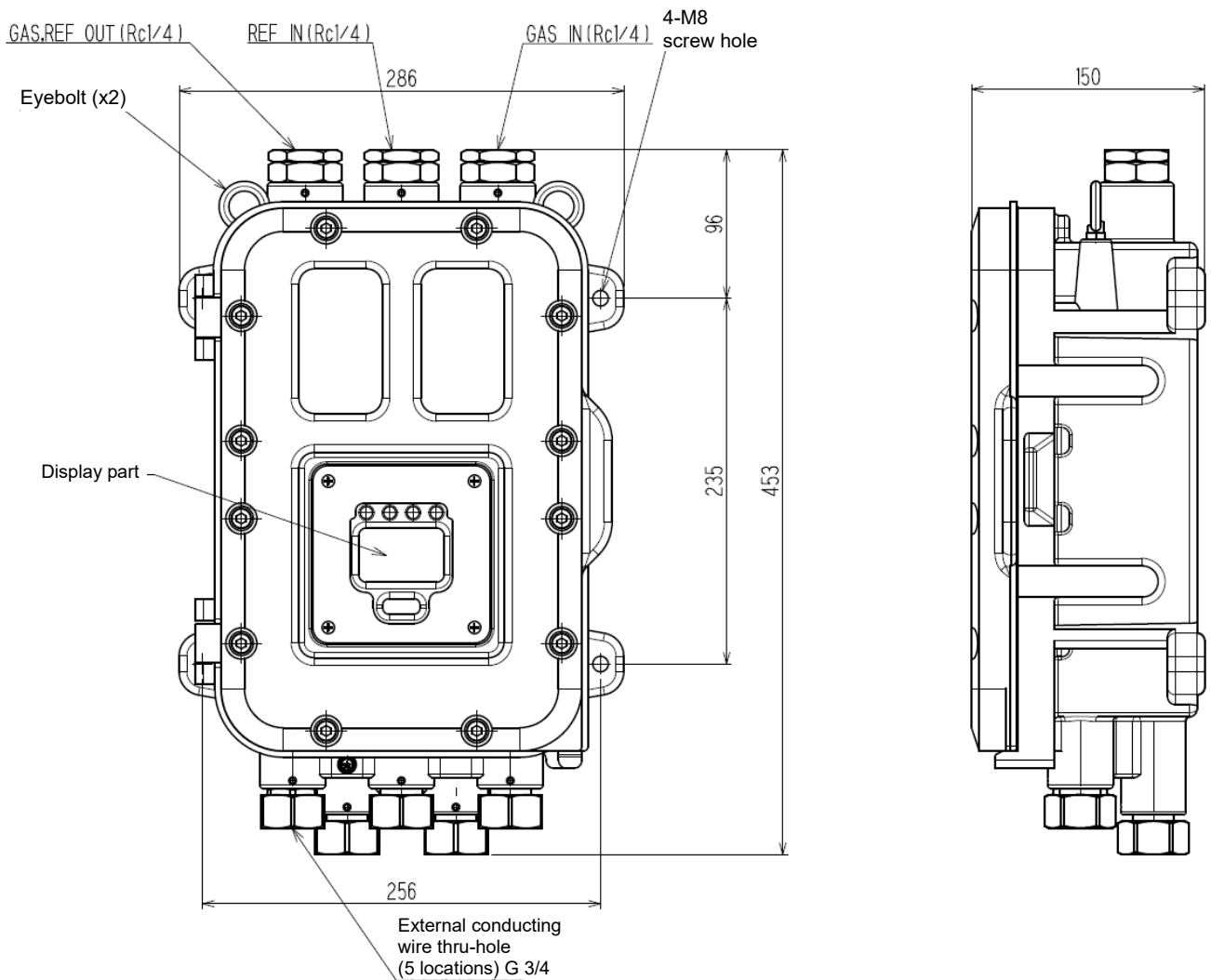
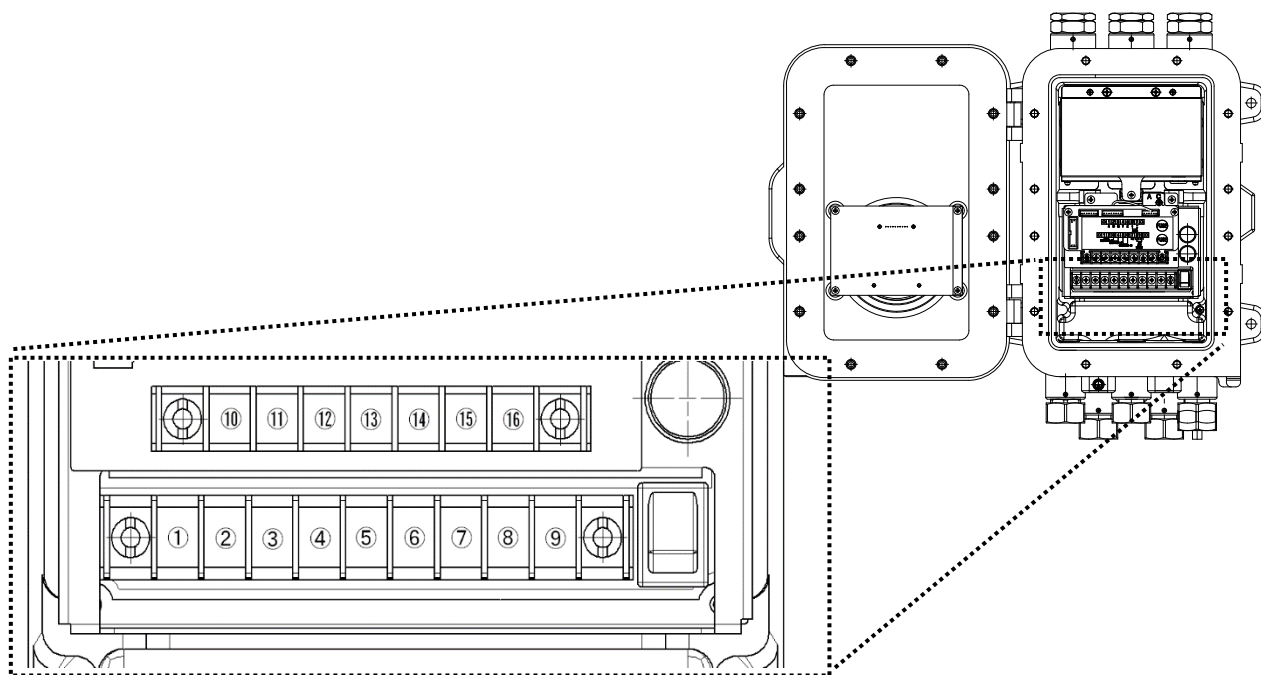


<p>Self-diagnostic function</p>	<p>Status monitoring in four categories</p> <ul style="list-style-type: none"> • Abnormality (FAILURE) • Function checking (FUNCTION CHECK) • Maintenance request (MAINTENANCE REQUIRED) • Outside specification range (OUT OF SPECIFICATION)
<p>Other functions</p>	<ul style="list-style-type: none"> • Ambient temperature/atmospheric pressure calibration function (depending on measuring gas) • Flow rate display function (gas side, reference side) • Automatic light level adjustment function • Zero suppress function (default setting OFF, can be switched ON)

Outline Drawings



Terminal Drawings



①	Alarm relay contact 1	FIRST ALARM CONTACT	Operates in conjunction with the status of alarm relay contact 1. (with standard settings) Non-voltage contact, contact capacity: 1 A 30 V DC (resistive load)
②			
③	Alarm relay contact 2	SECOND ALARM CONTACT	Operates in conjunction with the status of alarm relay contact 2. (with standard settings) Non-voltage contact, contact capacity: 1 A 30 V DC (resistive load)
④			
⑤	Malfunction alarm contact	FAULT ALARM CONTACT	Operates when a failure occurs. (with standard settings) Non-voltage contact, contact capacity: 1 A 30 V DC (resistive load)
⑥			
⑦	Power supply terminal	FG	Functional grounding (EARTH)
⑧		L / +	24 V DC $\pm 10\%$, Max. 6 W or 100 - 240 V AC $\pm 10\%$, 50/60 Hz, Max. 20 VA *The ATEX/IECEX specifications apply to DC power source only
⑨		N / -	
⑩	RS-485 Communication terminal	A	Communication input/output terminal via RS-485 (MODBUS)
⑪		B	
⑫		G	
⑬		Y	
⑭		Z	
⑮	4-20mA Output signal	(+)	4-20 mA DC (insulated, current throw type), resistive load Max. 300 Ω Minimum resolution 0.01 mA or less
⑯		(-)	